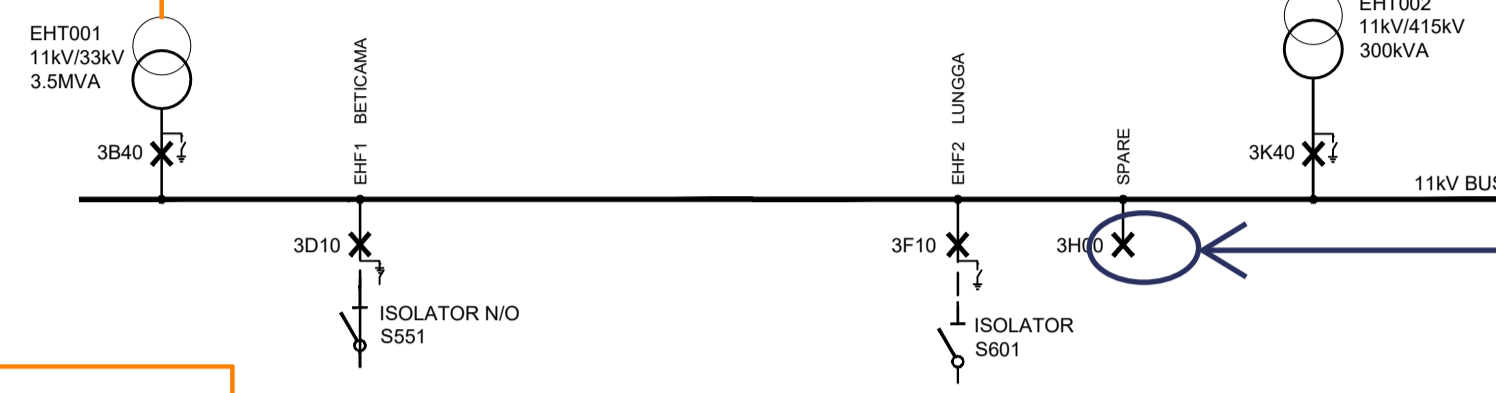
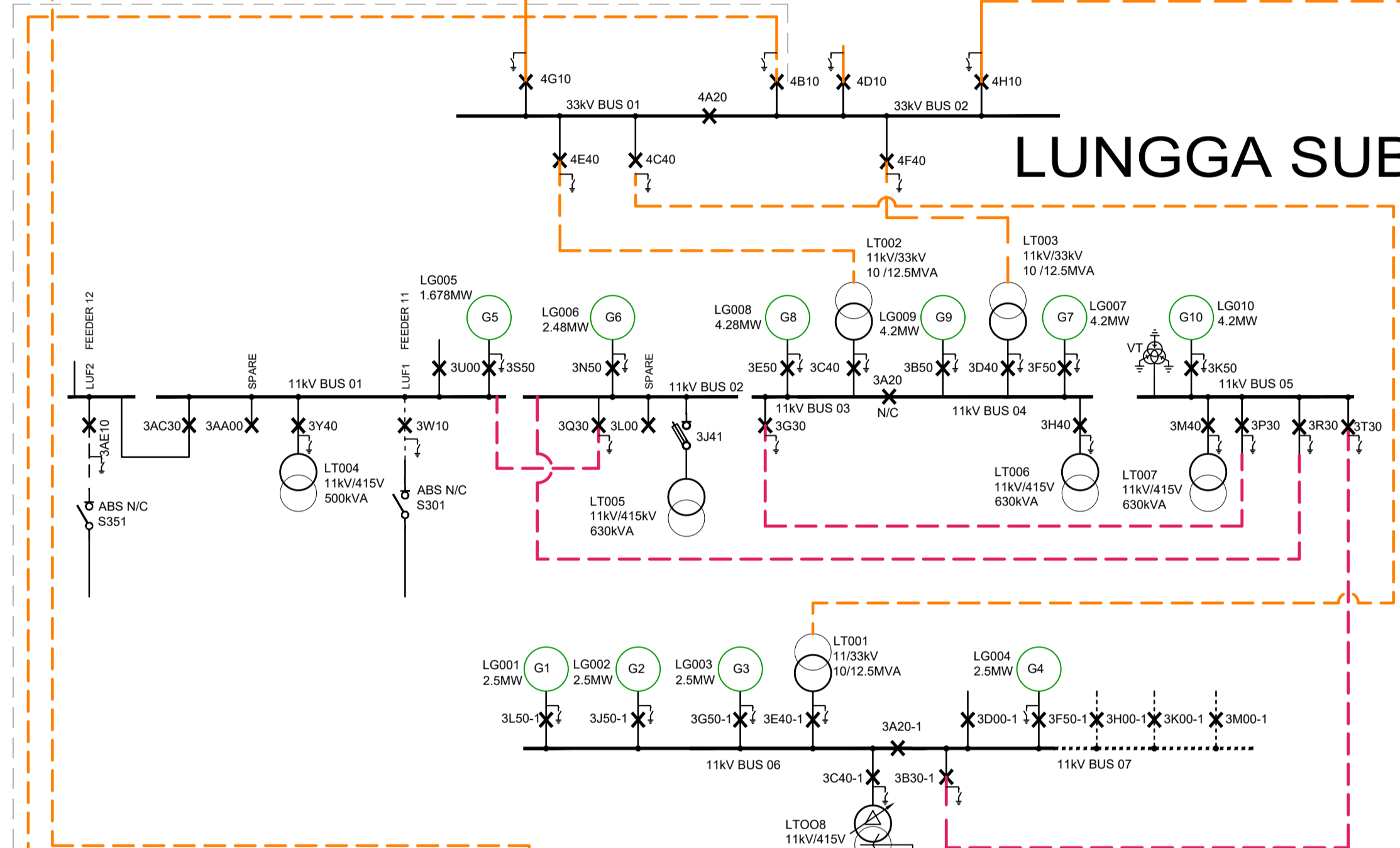


EAST HON SUBSTATION

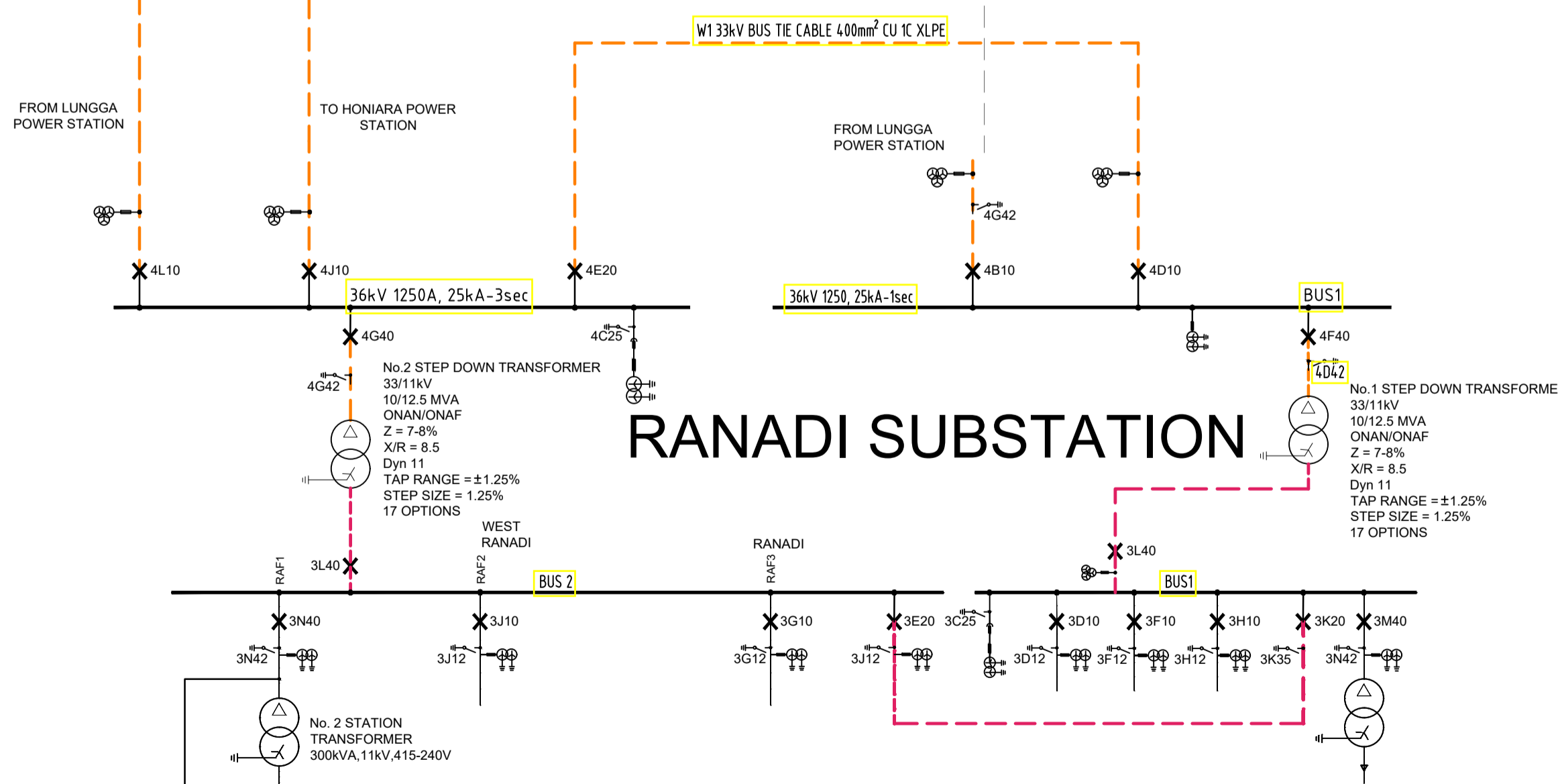


Proposed Connection Point 1

LUNGA SUBSTATION

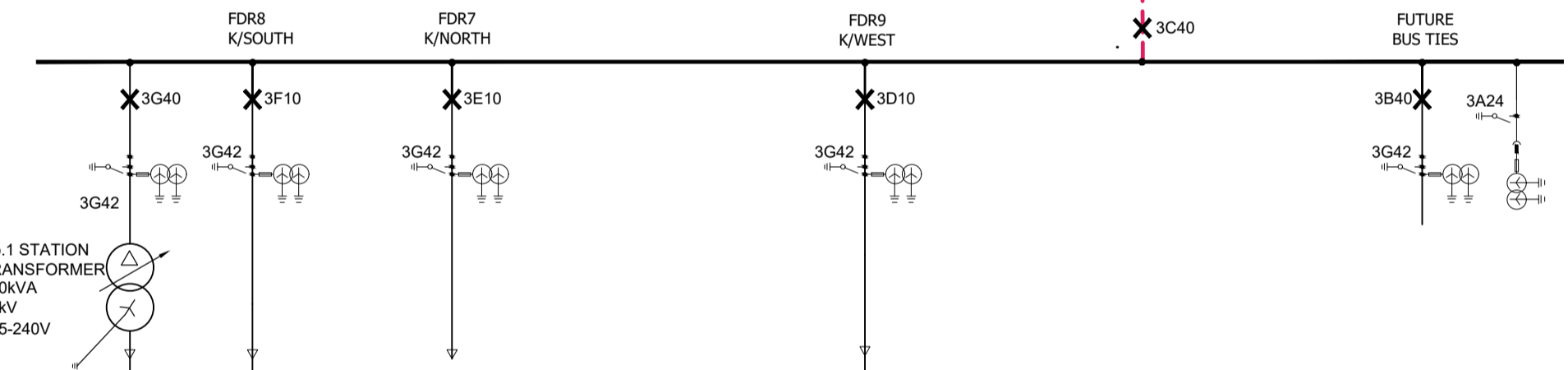


RANADI SUBSTATION

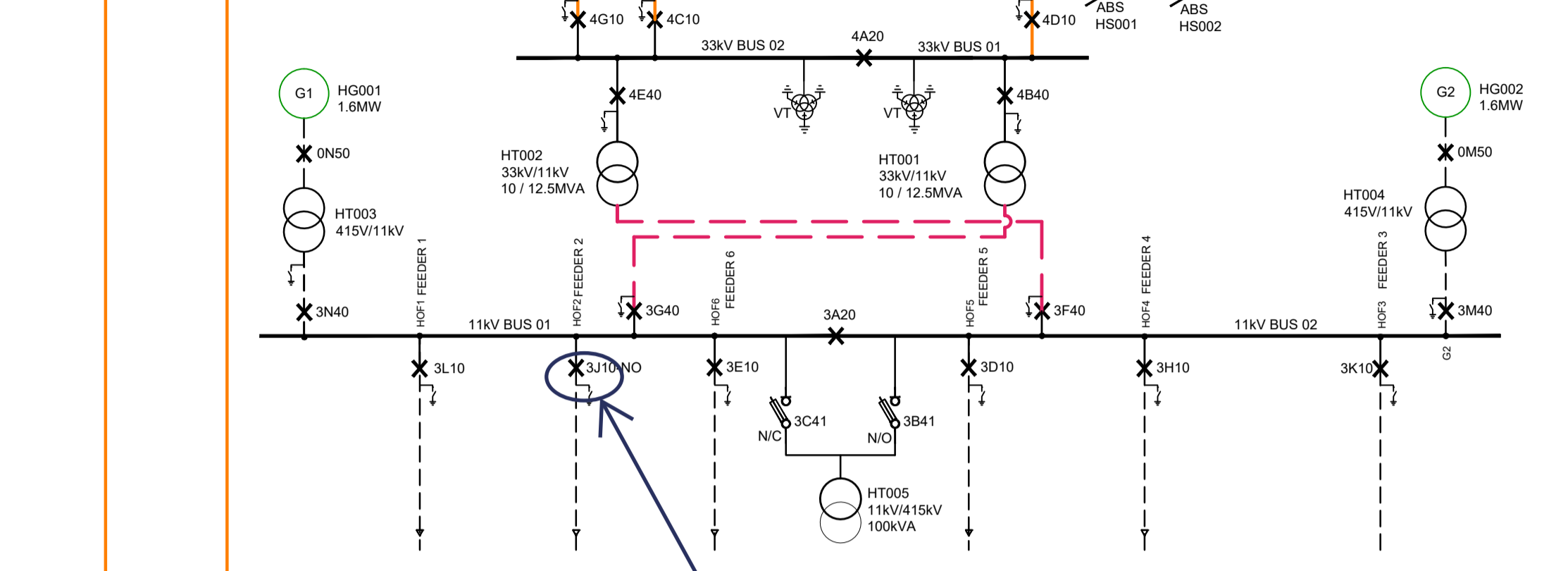


Proposed Connection Point 3

KOLA SUBSTATION

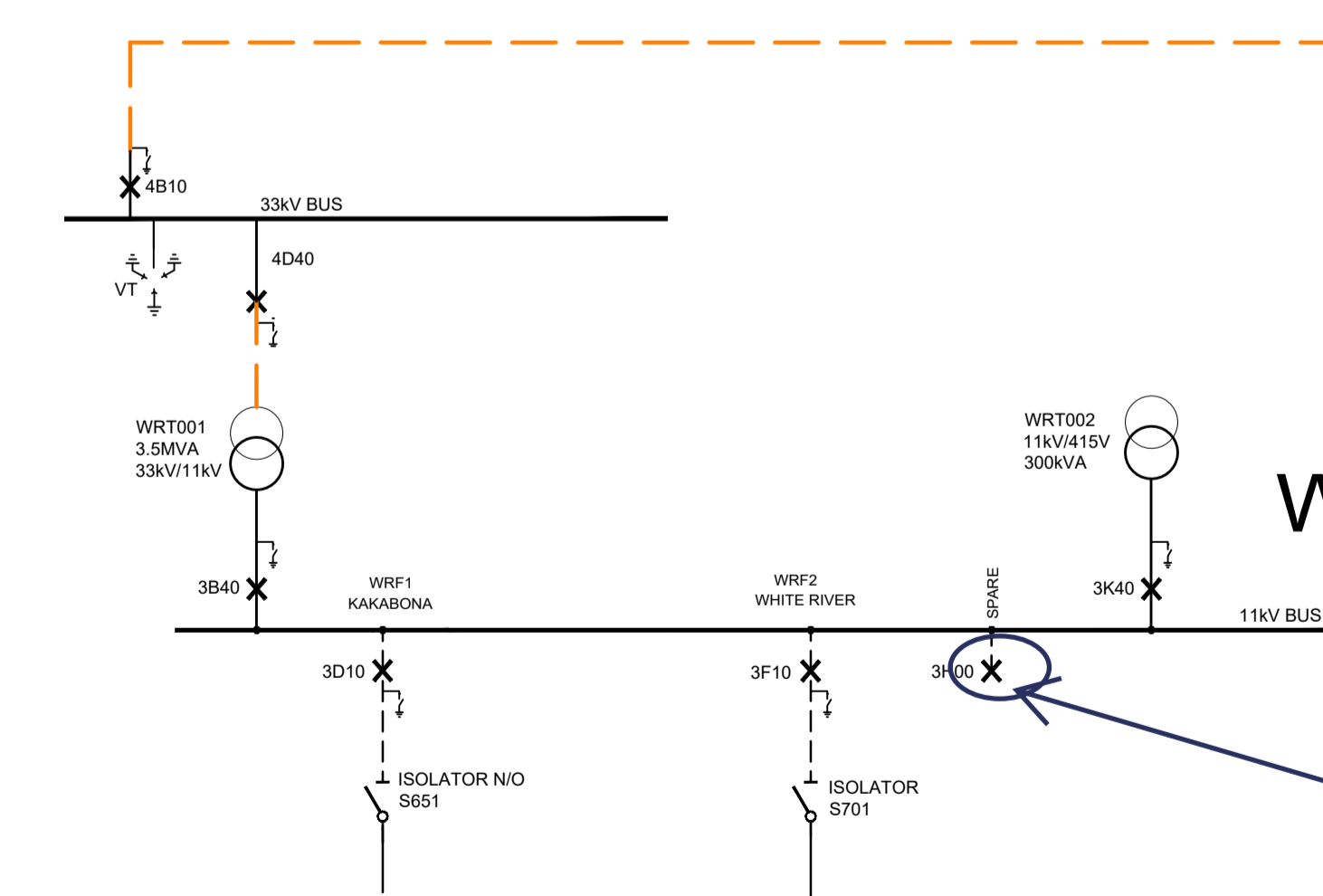


HONIARA SUBSTATION



Proposed Connection Point 2

W. RIVER SUBSTATION



CONTRACTOR



DESIGNED	#
CHECKED	#
DRAWN	KL Sep 23, 2019
CHECKED	#
APPROVED	#
A1	SCALE NTS

PROJECT NAME	SOLOMON POWER PLANNING DEPARTMENT
PROJECT DESCRIPTION	SOLOMON POWER

DRAWING TITLE	33kV TRANSMISSION WITH 11kV BUS BARS SINGLE LINE DIAGRAM
---------------	---

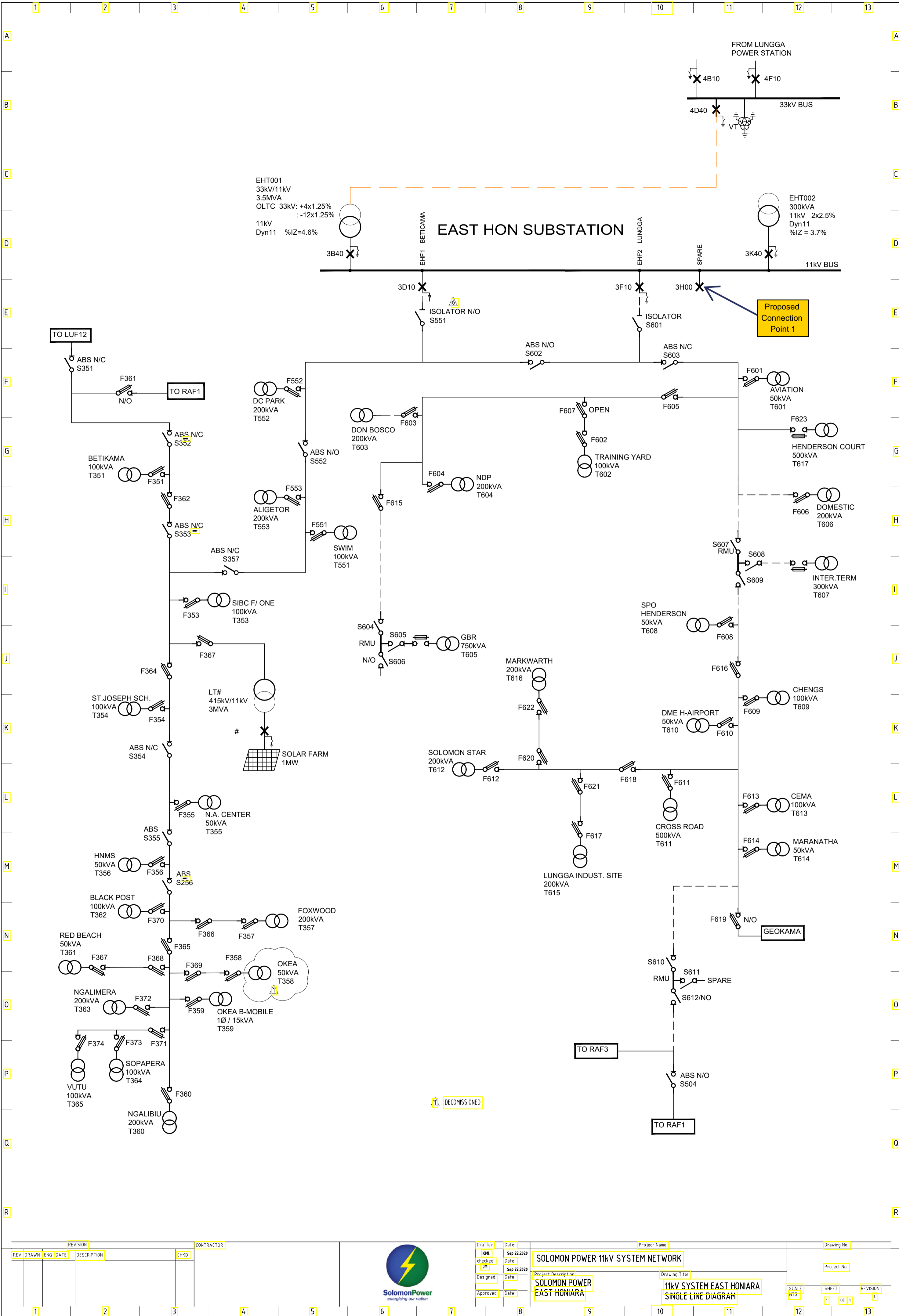
DRAWING No.	#
PROJECT No.	#
SHEET	1 of 1
REVISION	A

A1

AMENDMENT DETAIL

DESIGN	CHK'D	DRAWN	CHK'D	APP'D	DATE
--------	-------	-------	-------	-------	------

[PLOT DATE] Sep 23, 2019 - 8:48am



EHT001
33kV/11kV
3.5MVA
OLTC 33kV: +4x1.25%
:-12x1.25%
11kV
Dyn11 %IZ=4.6%

EHT002
300kVA
11kV 2x2.5%
Dyn11
%IZ = 3.7%

EAST HON SUBSTATION

Proposed
Connection
Point 1

DECOMMISSIONED

REV	DRAWN	ENG	DATE	DESCRIPTION	CHKD
1					
2					
3					

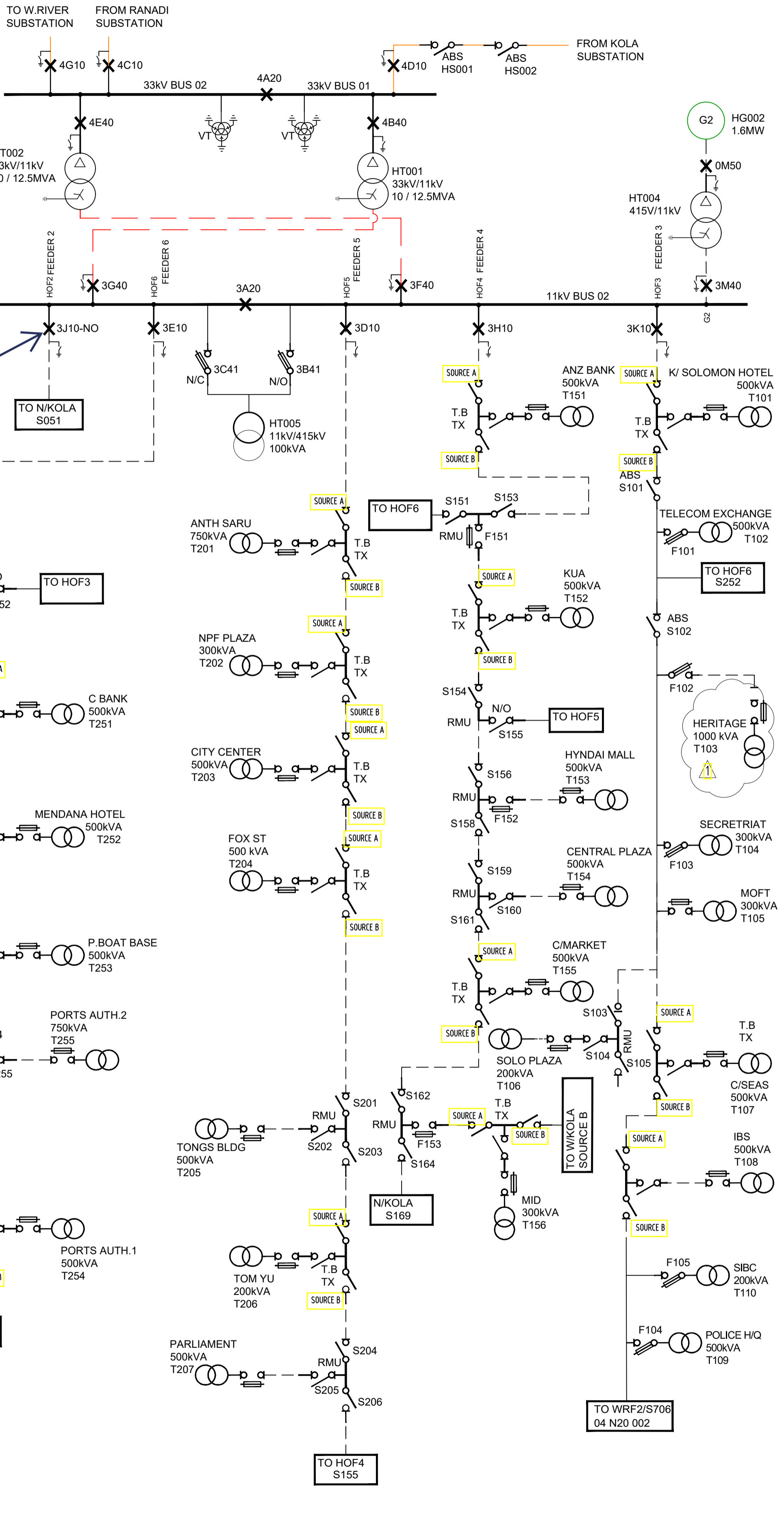
CONTRACTOR



Drafter	Date	Project Name
Checked	Date	
Designed	Date	
Approved	Date	
SOLOMON POWER 11kV SYSTEM NETWORK SOLOMON POWER EAST HONIARA		Drawing Title 11kV SYSTEM EAST HONIARA SINGLE LINE DIAGRAM

Drawing No.	Project No.
Scale	SHEET 1 OF 1
REVISION 1	

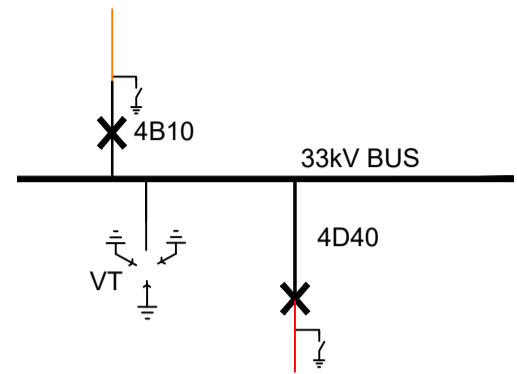
HONIARA SUBSTATION



REVISION				CONTRACTOR		Project Name				Drawing No.	
REV	DRAWN	ENG	DATE	CHKD	AS PER TENDER	SOLOMON POWER STANDARD 11kV SYSTEM NETWORK				HON-G001-0819	
						Project Description: SOLOMON POWER				Project No. HON-G001-0819	
						Drawing Title: 11kV SYSTEM HONIARA SUBSTATION				SHEET 1 OF 1	
						Approved: _____ Date: _____				SCALE: _____	



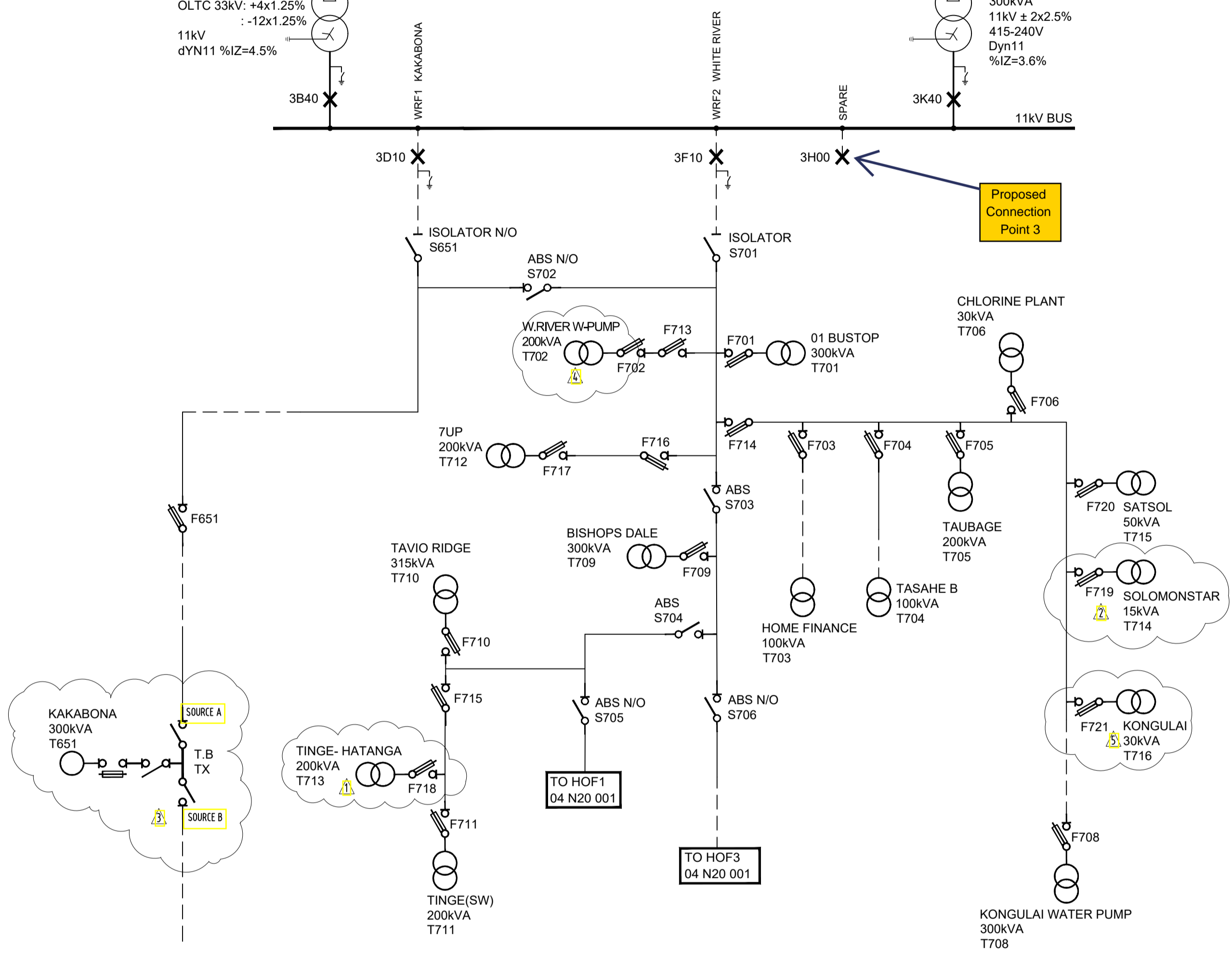
FROM HONIARA POWER HOUSE



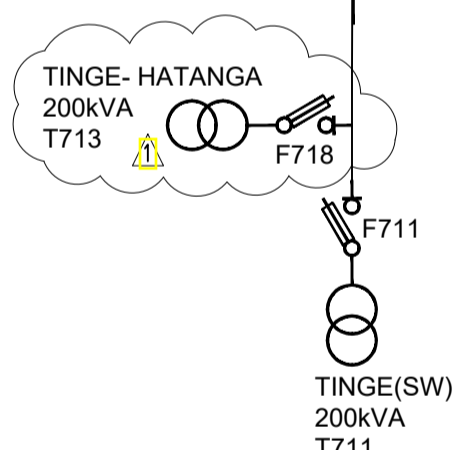
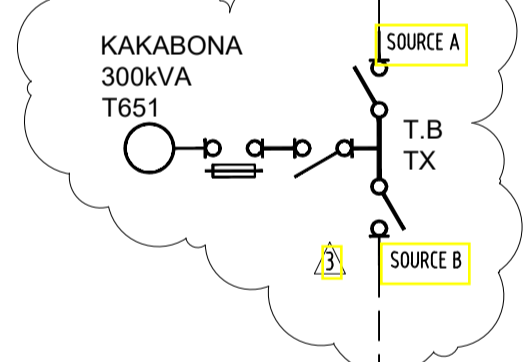
W. RIVER SUBSTATION

WRT001
3.5MVA
33kV/11kV
OLTC 33kV: +4x1.25%
:-12x1.25%
11kV
dYN11 %IZ=4.5%

WRT002
300kVA
11kV ± 2x2.5%
415-240V
Dyn11
%IZ=3.6%



Proposed Connection Point 3



- 1. NEW ADDITION 200kVA TRX POLE MOUNT TINGE-HATANGA - 2016
- 2. NEW ADDITION 15kVA TRX POLE MOUNT SOLOMONSTAR - DEC 2017
- 3. NEW ADDITION 300kVA PAD MOUNT KAKABONA - AUG 2019
- 4. DECOMMISSIONED
- 5. NEW ADDITION 30kVA KONGULAI - SEPT 2020

REV	DRAWN	ENG	DATE	DESCRIPTION	CHKD	CONTRACTOR	Drafter	Date	Project Name	Drawing No.
					FC	AS PER TENDER	KML	Sep 22, 2020	SOLOMON POWER STANDARD 11kV SYSTEM NETWORK	WHRI-G001-0819A
							JM	Sep 22, 2020	SOLOMON POWER STANDARD 11kV SYSTEM NETWORK	Project No.
									SOLOMON POWER	11kV SYSTEM WHITE RIVER SUBSTATION
									SINGLE LINE DIAGRAM	SCALE: NTS
										SHEET 1 OF 1
										REVISION 1

